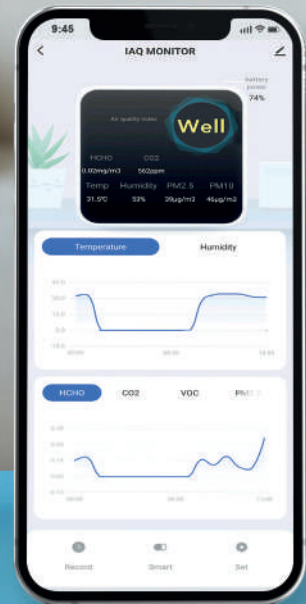


SMART AIR QUALITY DETECTOR

Track 6 air quality factors. Accurately detect the current CO₂ concentration, temperature, humidity and PM_{2.5} in the air. Wifi function available, connect device with Tuya App and view the data in real time.



MODEL: BEAIR-WIFI-IAQDISPLAY

Functions



Time



Calendar



AQI



TVOC



Temperature



Humidity



C6H6
Detecting



Formaldehyde
Detecting



PM_{2.5}
Detecting



PM₁₀
Detecting



Carbon Dioxide
Detecting



AQI
Excess Alert

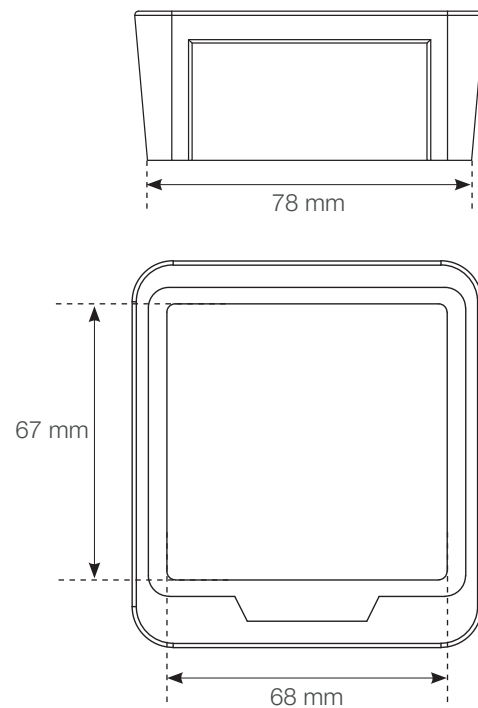
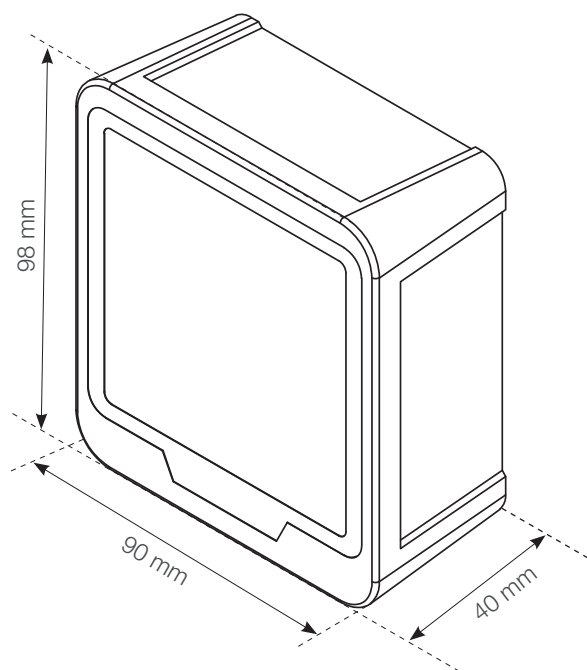
Technical Specifications

Air Quality Level (AQI)	0 ~ 500 (Green level 0-50, Yellow level 51-100, Red level 101-500)
Carbon Dioxide	400 ~ 5000 ppm [$\pm(50\text{ppm} + 5\%)$]
Temperature	-10°C ~ 40°C ($\pm 2^\circ\text{C}$) / 14°F ~ 104°F ($\pm 3.6^\circ\text{F}$)
Humidity	20 ~ 80 % RH (± 5 % RH)
HCHO	0 ~ 2 mg/m ³ (± 15 %)
TVOC	0 ~ 5 mg/m ³ (± 15 %)
C6H6	0 ~ 3 mg/m ³ (± 10 %)
PM10	0 ~ 1000 $\mu\text{g}/\text{m}^3$ ($\pm 10\%$)
PM2.5	0 ~ 1000 $\mu\text{g}/\text{m}^3$ ($\pm 10\%$)
Wireless Connection	Wi-Fi (only for 2.4GHz network)
Battery Spec	Li-ion Cylindrical Battery (2400mAh)
Input	5 V=1 A

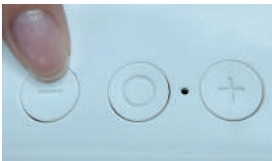
Dimensions

Product Size: 98 * 90 * 40 mm.

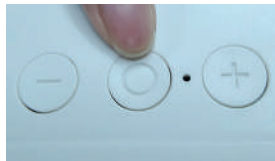
Packing List: PTH-9BW * 1, User Manual * 1, TYPE-C Cable * 1.



Operation



Press to switch the display of time, date and year. Long press to enter or disconnect the network configuration state.



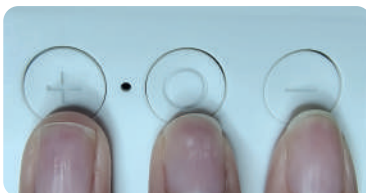
Long press it to turn on or off.
Press to turn on or off backlight.



Press it to reset with a pointed object.



Long press it to turn on or off the buzzer.



After powering off, long press the 3 buttons to enter calibration mode then the device begins to count down 200s on the screen. Pay attention to doing it outdoors without people.

Note: When AQI exceeds 100, and the buzzer is on, the buzzer will sound an alarm. Long press "+" button to stop it.

LINKAGE CONTROL

It can connect with energy recovery ventilator without wire, and control them according to the detected data to ensure air quality at any time. The operation functions can be designed according to the preference of users.



AUTOMATIC MODE

Adjustment of the fan speed to the aimed humidity level.



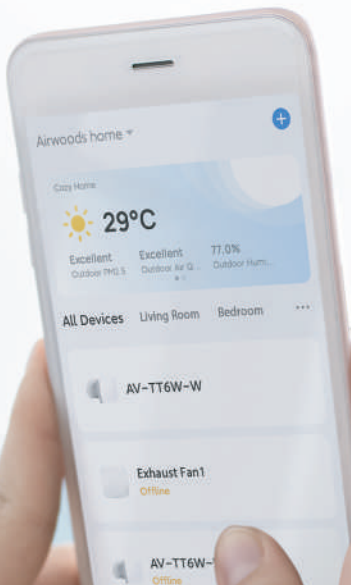
BOOST MODE

Activating the device and run at full fan speed when CO₂/TVOC/HCHO/PM_{2.5}/PM₁₀/C₆H₆ exceed setting value.



SURVEILLANCE MODE

Activating the device when an increase of humidity is detected.



Bremen Ventilation

(514) 735-3539 hello@bremenventilation.com www.bremen.com
5965 De la Côte-de-Liesse Rd, Saint-Laurent, Quebec H4T 1C3